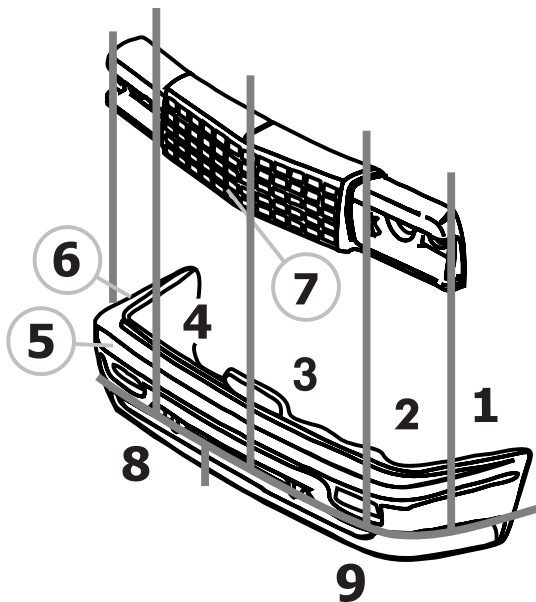


Front Bumper, Cover & Header



Bumpers & End Panels use #1 & #6 only when they wrap around the side